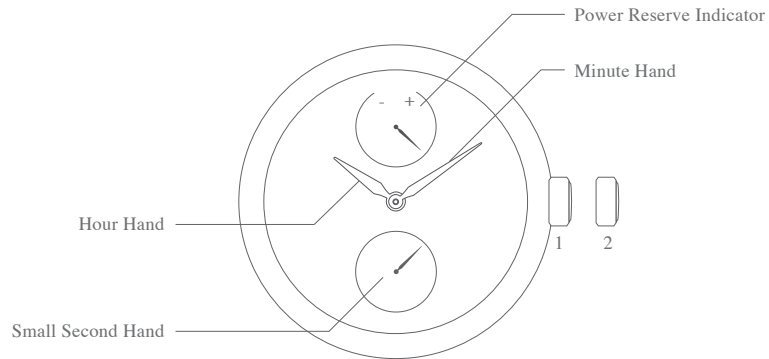


*AUTOMATIC 2 HANDS WITH
SMALL SECOND AND POWER RESERVE*

A) DISPLAY



B) TIME SETTING

1. Pull the crown to position 2.
2. Turn the crown counter-clockwise to set the correct time.
3. Set to the correct time.
4. Push the crown back to position 1.

B) POWER RESERVE

1. The power reserve indicator shows you how much energy the mainspring and your watch is holding. By glancing at this indicator, you can find out how much energy your watch is holding for operation.
2. When the watch is fully wound, the indicator will move towards the “+” sign.
3. The watch will gradually move towards the “-” sign when energy is being consumed.
4. This watch **MUST** be worn for at least 8 (eight) hours each day to ensure it is fully wound.
5. The watch can be manually wound by hand.

NOTE:

This watch *MUST* be worn for at least 8 (eight) hours each day to ensure it is fully wound.

An automatic watch will only wind when the watch is on your wrist and your arm moves.

Winding the watch by the crown will put power on the spring but not enough to allow the watch to function fully.

If your watch stops overnight or loses time it means it is not being fully wound.