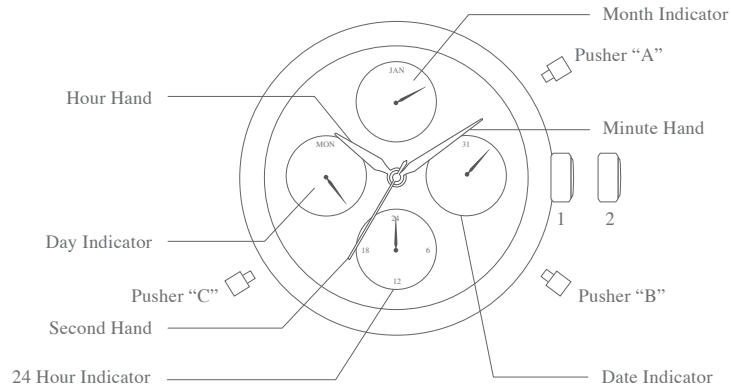


*AUTOMATIC 3 HANDS MULTIFUNCTION  
(DAY / DATE / MONTH / 24H)*

**A) DISPLAY**



**B) WINDING THE MAINSPRING**

Automatic winding watch can be hand wound by turning the crown in it's normal crown position. Wind 15-20 times and it will start to move naturally after shaking slightly.

**C) TIME SETTING**

1. Pull the crown to **position 2**.
2. Turn the crown to set hour and minute hands.
3. Push the crown back to **position 1**.

**D) QUICK CHANGE CORRECT OR FOR DATE (Push "B" at 4 o'clock position)**

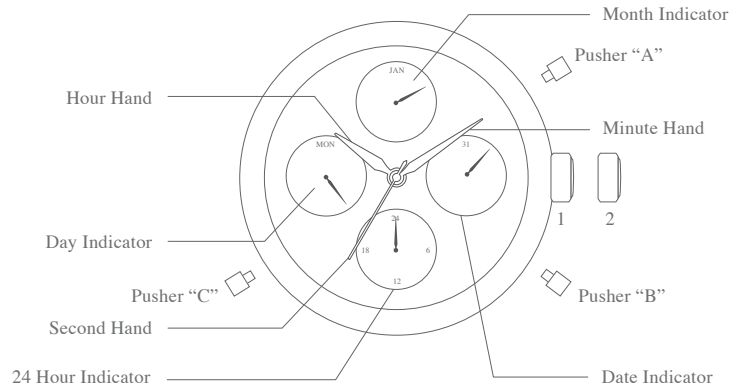
1. Pull the crown to **position 2**.
2. Pressing **Pusher "B"** moves the date forward by one day. You must **not** use this quick change corrector between 11:30 p.m. and 5:30 a.m. because the automatic change mechanism is in operation between these times.

**E) QUICK CHANGE CORRECT OR FOR DAY (Push "C" at 8 o'clock position)**

1. Pull the crown to **position 2**.
2. Pressing **Pusher "C"** moves the Day Indicator forward by one day.
3. You must **not** use this quick change corrector between 11:30 p.m. and 5:30 a.m. because the automatic change mechanism is in operation between these times.

*AUTOMATIC 3 HANDS MULTIFUNCTION  
(DAY / DATE / MONTH / 24H)*

**A) DISPLAY**



**F) QUICK CHANGE CORRECT OR FOR MONTH (Push "A" at 10 o'clock position)**

1. Pull the crown to **position 2**.
2. Pressing **Pusher "A"** moves the Month Indicator forward by one month.
3. You must **not** use this quick change corrector on the 31st of the month between 11:30 p.m. and 5:30 a.m. because the automatic change mechanism is in operation between these times.

**G) SET DATE, DAY & MONTH**

1. Pull the crown to **position 2**.
2. Continue rotating hands until 6.00 a.m. Use the quick-change correctors to set the date (**Pusher "B"**), day (**Pusher "C"**) and month (**Pusher "A"**). Use the crown to turn the hands forwards until the current date is reached. You have now set the correct date, day and month.

**NOTE:**

**This watch MUST be worn for at least 8 (Eight) hours each day to ensure it is fully wound.**

**An automatic watch will only wind when the watch is on your wrist and your arm moves.**

**Winding the watch by the crown will put power on the spring but not enough to allow the watch to function fully.**

**If your watch stops overnight or loses time it means it is not being fully wound.**