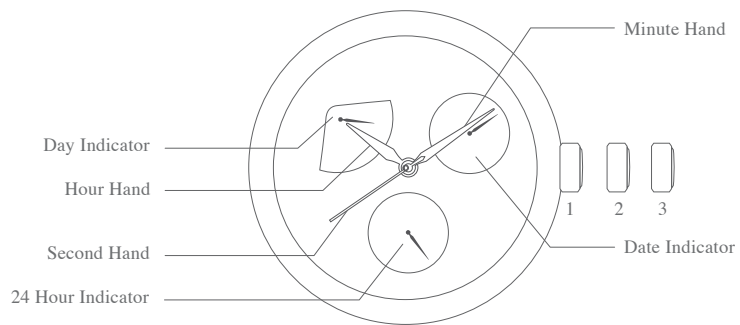


JAPAN QUARTZ MULTIFUNCTION
(3 HANDS / SWEEP SECOND / 24HR / DAY / DATE / RETROGRADE)

A) DISPLAY



B) DATE & TIME SETTING

1. Pull the crown to **position 3**.
2. Turn the crown clockwise to advance the time. Set to correct time.
3. Push the crown back to **position 2**.
4. Turn the crown anti-clockwise to set the date. Set to correct date.
5. Push the crown back to the **position 1**.

NOTE:

Do not set the date between 10:00PM and 2:00AM, otherwise the date may not change properly.

If it is necessary to set the date during that time period, change the time to any time outside of it, set the date, then reset it to the correct time.